

Dedicated to People Flow™



ELEVATORS WITH AN INSPIRING VIEW

KONE Scenic elevators

A window of opportunity

KONE Scenic elevator solutions combine proven technology and inspiring car designs to create elevators that are attractive and spacious, and which give you the opportunity to showcase your building.

Scenic elevators include glass car walls and glass hoistway, and are used in a wide variety of environments, from office buildings, hotels, and retail centers to transportation hubs and cruise ships. As well as making the elevator ride a highlight for passengers, a scenic elevator is an eye-catching architectural feature that enhances the image of any building.

Our scenic elevator offering comprises the following:

- Standard scenic elevators with glass back walls and a choice of interior design and accessory options
- Premium scenic elevators with a wider choice of glass car models, design options, and customization possibilities
- Custom scenic elevators tailored to your exact specifications, in cooperation with our dedicated team of designers, for a completely unique solution.

Why choose KONE Scenic elevators?

To help you specify a scenic elevator for your project in the fastest and most cost-efficient way, we have a range of ready car shapes, interior designs, and accessories to choose from. With our flexible offering you can mix and match to create a unique elevator design.

Our role goes far beyond manufacturing and installation of the elevators. We are with you right from the start to help with design and planning, and can work with professionals such as architects on material selection and design to help you realize your vision.





KONE Scenic elevator standard

Our standard scenic elevators combine the expansive views of attractive glass feature walls with our wide range of high-quality interior design options and accessories. We offer a choice of different glass designs for the car back and side walls, depending on the chosen solution.

KONE MonoSpace 500 scenic elevator

With the KONE MonoSpace® 500 scenic elevator you can choose from a variety of different glass designs for the back wall of the car. A glass back wall not only provides great views and makes the car interior feel even more spacious and light, it is also an eye-catching design feature. You can add the finishing touch with a car interior design that perfectly matches your building.



KONE MonoSpace 700 and MiniSpace scenic elevators

The KONE MonoSpace® 700 and MiniSpace™ scenic elevators gives you even more freedom to design the car, with the option to have any or all of the three car walls in glass, as well as your choice of interior. Combine glass back and side walls to create a full-glass car that provides stunning all-round views and which creates an attractive architectural feature, giving your building a modern, premium quality.



Partial height glass car
(PH)



Full height glass car
(FH)



Seamless full height glass car
(FHT)



KONE MonoSpace® 500
A glass back wall, bright ceiling lighting, and light-colored floor accentuate the feeling of space and brightness. The patterned glass wall is also an eye-catching design feature.



KONE MonoSpace® 700

A full-glass back wall provides superb unobstructed views from the elevator. The patterned walls add a touch of compelling detail to the clean, sophisticated interior.



◀ **KONE MonoSpace® 700**
Full height glass walls (FH) on all three sides give passengers a complete view over the surrounding building. Sleek LED lighting complements the elevator's modern, minimalistic interior.



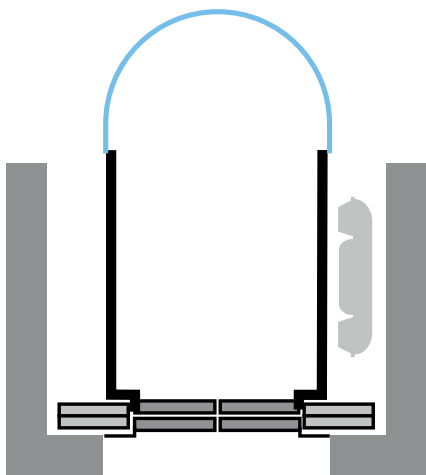
◀ **KONE MonoSpace® 700**
The full-glass back wall (FHT) opens up the elevator to the view outside. The clean lines of the black stainless steel side walls and flush-mounted car operating panel give the interior a sophisticated, premium finish.

KONE Scenic elevator premium

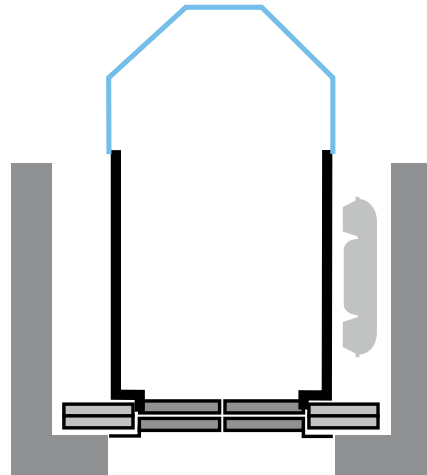
Our premium scenic elevators offer a fast and highly cost-effective way to create a full-glass elevator solution for your building. There are multiple car models to choose from, as well as a wide range of interior design options and other customization possibilities.

During the planning stage we can also work together with professionals such as architects to create custom car wall designs based on your requirements. Your local KONE representative will be happy to discuss how we can support you.

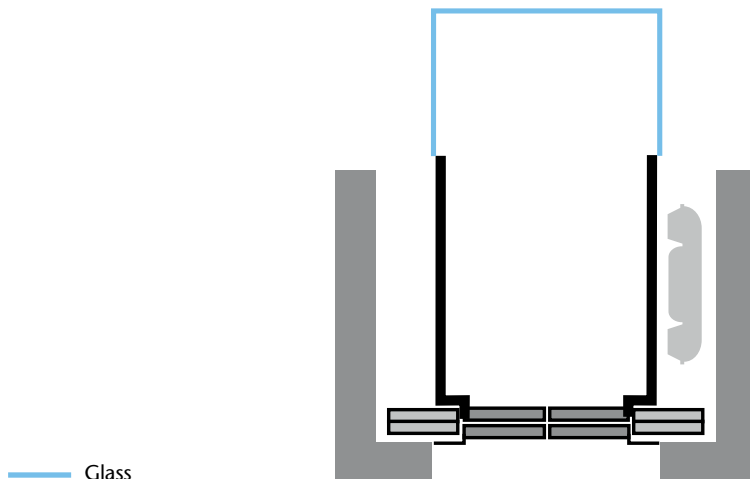
KONE Scenic elevator premium range is based on the KONE MonoSpace® 700 and KONE MiniSpace™ elevator solutions.



Premium scenic elevator car with a semicircular glass wall.



Premium scenic elevator car with a wall of multiple flat glass panels.



— Glass

Premium scenic elevator car with a single-panel glass wall.

The semicircular car gives full 180-degree views from the elevator is also an attractive architectural feature. ►



KONE Scenic elevator custom

When your project demands something special – a true one-off elevator design that inspires and delights passengers and perfectly complements the architecture of its surroundings – our custom scenic solutions will deliver. These elevators combine the very best in design expertise and proven elevator technology.

We have designed custom scenic elevators for many unique projects all around the world, from luxury hotels and high-end office premises, to cruise liners and exclusive retail developments. If you can imagine it, we can design and build it.

We work hand in hand with the project architect right from the start to help you realize your vision, developing a completely unique, tailor-made car design for your project.





Enhancing scenic elevators

Glass door options

KONE Scenic elevators can be fitted with a range of different glass door types, all designed to complement the glass walls of the car and provide an even greater feeling of space as well as superb visibility.

We offer both glass-window and full-glass doors with various entrance types for our scenic elevator standard range. For our premium and custom ranges, we also offer full-glass-panel doors without frames.



Visual kits for concealing elevator components

we can supply visual kits to complement the design of scenic elevator solution per special request. Shaft equipment such as brackets, can be painted to minimize the visibility. These kits are used to subtly conceal various elevator components, and structural elements. For our custom scenic elevator range we can provide specialized solutions.

Please contact your local KONE representative for more information about visual kits.





CELEBRITY ECLIPSE

The eight stunning KONE Scenic elevators on board the cruise ship Celebrity Eclipse are the perfect reflection of their surroundings – magnificent architecture combined with the latest technology. Using our engineering and design expertise, we worked closely with the architect to create unique, cut-gem shaped cars that not only enable smooth people flow, but also act like a mini stage from which guests can see and be seen.

The magnificent jewel-like cars are designed to sparkle, with light being reflected off the angled glass surfaces as they travel up and down the sunlit atrium. The elevators also feature stylish, custom-designed signalization solution that provides clear guidance for passengers and reduces waiting times.



ONE NEW CHANGE

The external KONE Scenic elevators at London's One New Change offer breathtaking views of the world-famous dome of St. Paul's Cathedral and the city's skyline. They transport thousands of people every day around one of the area's largest shopping destinations and provide easy access to the dazzling public space on the building's rooftop.

Clad in glass and stainless steel, the customized cars offer the perfect combination of form and function, blending seamlessly with the building's modernist glass façade. Because the elevators are fully exposed to outside weather elements, they also feature water-resistant landing entrances and a specialized glazed canopy.



KONE provides innovative and eco-efficient solutions for elevators, escalators, automatic building doors and the systems that integrate them with today's intelligent buildings.

We support our customers every step of the way; from design, manufacturing and installation to maintenance and modernization. KONE is a global leader in helping our customers manage the smooth flow of people and goods throughout their buildings.

Our commitment to customers is present in all KONE solutions. This makes us a reliable partner throughout the life cycle of the building. We challenge the conventional wisdom of the industry. We are fast, flexible, and we have a well-deserved reputation as a technology leader, with such innovations as KONE MonoSpace[®], KONE EcoMod[™] and KONE UltraRope[™].

KONE employs on average 47,000 dedicated experts to serve you globally and locally.

KONE Corporation
www.kone.com